



Adresse / Address

Datum / Date

Kontakt / Contact

12/2010

Ledermann GmbH & Co. KG  
Willi-Ledermann-Str. 1  
D-72160 Horb a.N.

Tel. +49 (0) 74 51 / 93 - 0  
info@leuco.com  
www.leuco.com

Betreff / Subject

Seite / Page

## Modula Cutterhead System - small & efficient

01/02

Inhalt / Content

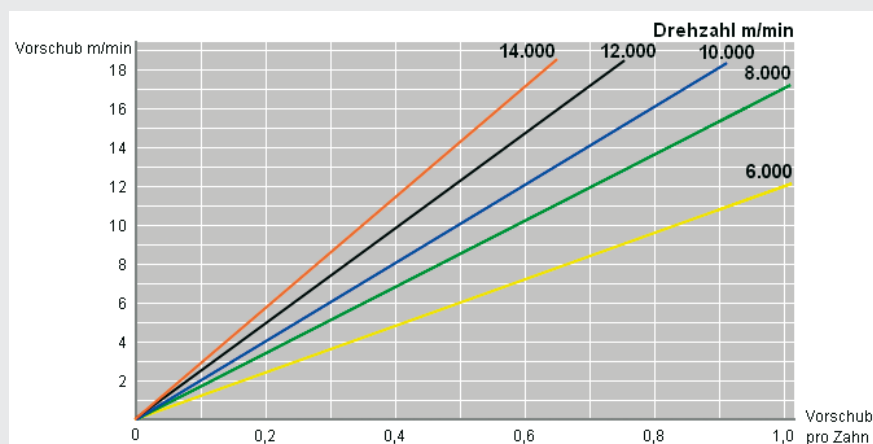
Modula is much more flexible, more easy to handle and more efficient than other tool systems. Follow-up costs are reduced considerably. The high efficiency is the result of the modular design with standard cutterheads and the renouncement on expensive special cutting edges. As the most different profile combinations can be realized with cutterheads available from stock, the delivery time for individual tools is reduced to a minimum.

### Handling

An important factor is the handling. Thanks to the proven Modula System a huge progress was made in this respect, too. Small parts such as washers for chamfering and grooving knives are no longer used. The adjustment is made centrally via tool adapter.

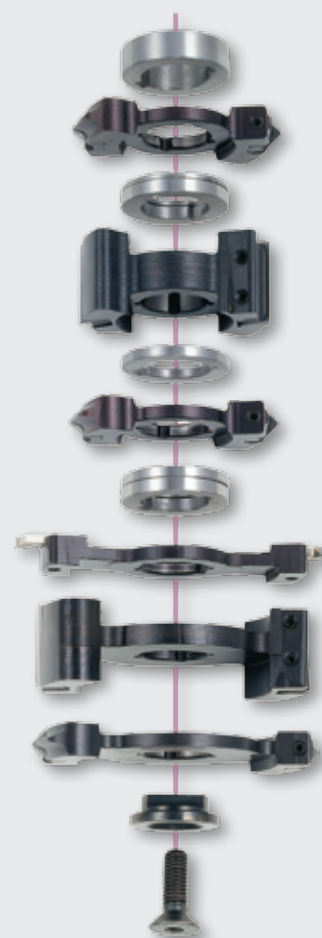
### Performance increase thanks to higher RPM

- Modula is characterized by small diameters and components with small protrusions. This reduces the risk of tool breakage and provides a compact system.
- The small tool diameter allows higher RPM which means higher feed rates with constant quality.
- Compared to traditional systems, the performance is increased by approx. 20%.



Whoever applies smaller tool sets can make better use of the power and performance of the CNC machines.

Bildmaterial / Imagery



The Modula Cutterhead System consist of single cutterheads available from stock. The most different profile combinations can be realized.

**LEUCO**

www.leuco.com



Adresse / Address

Datum / Date

Kontakt / Contact

10/2010

Ledermann GmbH & Co. KG  
Willi-Ledermann-Str. 1  
D-72160 Horb a.N.

Tel. +49 (0) 74 51 / 93 - 0  
info@leuco.com  
www.leuco.com

Betreff / Subject

Seite / Page

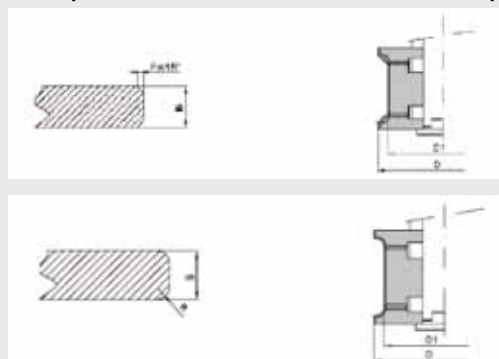
## Modula Cutterhead System – small & efficient

02/02

Inhalt / Content

Bildmaterial / Imagery

Example combinations for furniture industry and residential construction



Example combinations for doors



Modula Cutterhead System - Tool  
concepts for door manufacturing on  
CNC machines: smaller diameter, higher  
RPM, higher feed rates